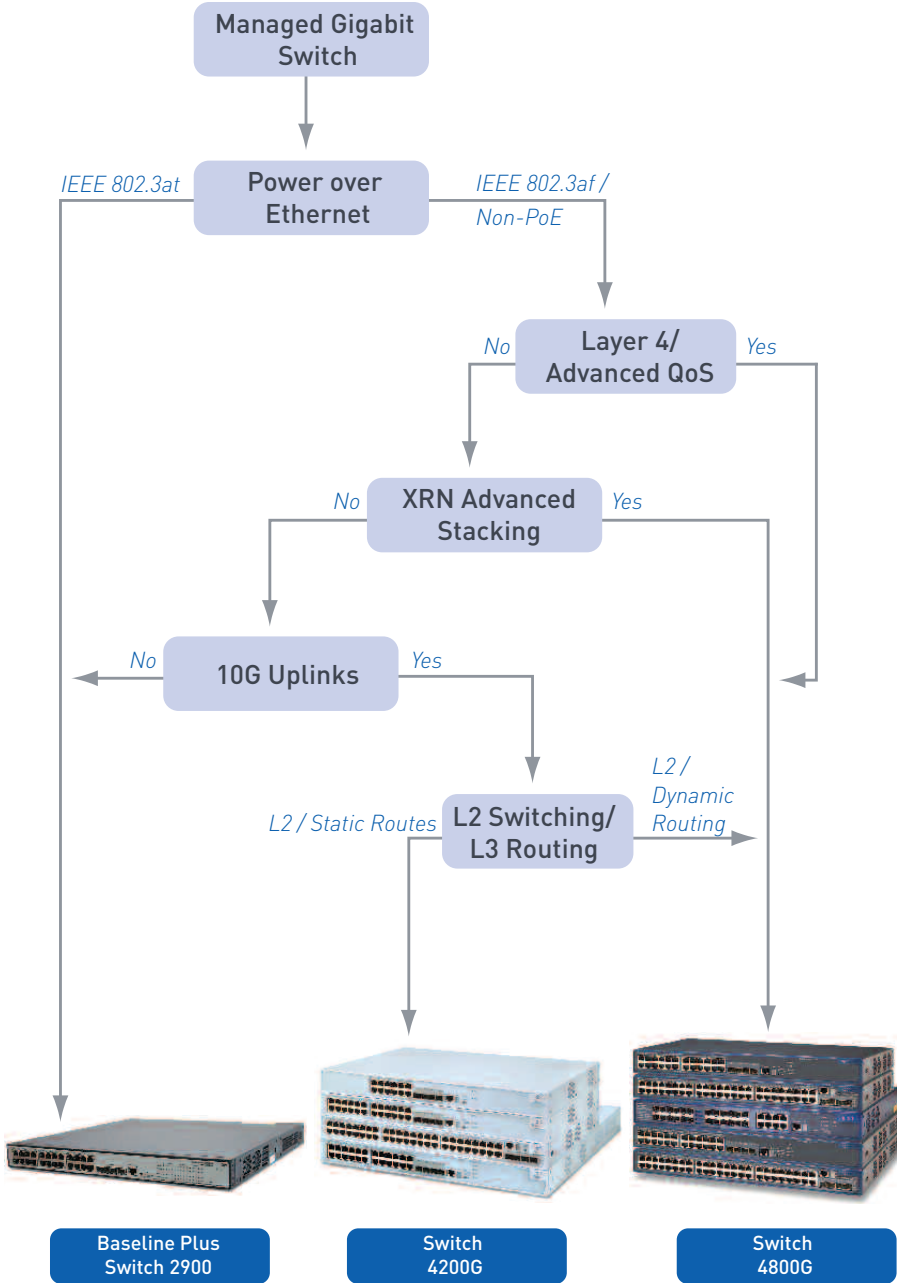


# 3COM GIGABIT SWITCH FAMILY GUIDE

## SWITCH PROMOTION

START DATE: 28<sup>TH</sup> NOVEMBER 2009

END DATE: 26<sup>TH</sup> FEBRUARY 2010



### Power over Ethernet (PoE)

**IEEE 802.3af**—the original PoE standard delivers a maximum of 15.4 9W of power to end points such as IP phones and 802.11 a/b/g Wi-Fi access points.

**IEEE 802.3at**—the latest PoE standard provides up to 25.5W of power for high-demand end points such as PTZ IP cameras and IEEE 802.11n Wi-Fi access points. Backwards compatible with IEEE 802.3af.

### Layer 4 / Advanced QoS

Inspect and re-mark traffic priority based upon applications and policies. Ensures performance of mission-critical and delay-sensitive applications across the network.

### XRN Advanced Stacking

Up to 96 Gbps of high-performance distributed eXpandable Resilient Networking (XRN®) switch fabric links between stacked units. Enables a “pay as you grow” architecture, maximising return on investment.

**Distributed Device Management**—Manage up to a stack of 9 4800G devices as a single logical switch to reduce management tasks.

**Distributed Device Routing**—Processing of Layer 3 routing is distributed throughout the stack members for improved Layer 3 routing performance and resiliency.

**Distributed Link Aggregation** trunks ports across the whole stack for scalable performance and link resiliency back to server farms and network core switches.

### 10G Uplinks

Flexible 10Gbps uplinks to network core or server using XFP or XENPAK transceivers. Select the appropriate 10G transceiver based upon the cable type and link distance.

### L2 Switching / L3 Routing

**L2 switching**—switching of Ethernet frames based upon their Layer 2 MAC address within broadcast domains.

**L3 Static Routes**—routing of IP packets based upon manually defined static routes (32 max). Can be used for simple routing between VLANs on smaller networks. Does not scale to larger networks.

**L3 Dynamic Routing**—routing of IP packets based upon dynamically shared routing protocol information (e.g. RIP, OSPF). Scales for use in larger / more complex network designs.



3COM



Family	Baseline Plus Switch 2900	Switch 4200G	Switch 4800G
Speeds	<ul style="list-style-type: none"> <li>• 10/100/1000 copper</li> <li>• Gigabit SFP (dedicated)</li> </ul>	<ul style="list-style-type: none"> <li>• 10/100/1000 copper</li> <li>• Gigabit SFP (combo)</li> <li>• 10G</li> </ul>	<ul style="list-style-type: none"> <li>• 10/100/1000 copper</li> <li>• Gigabit SFP (combo)</li> <li>• 10G</li> </ul>
Power over Ethernet	IEEE 802.3at PoE+	IEEE 802.3af PoE	IEEE 802.3af PoE
Expandability	Single management IP address of up to 32 units	Clustering	XRN resilient stacking of up to 9 units
Management	Basic CLI / Web / SNMP	CLI / Web / SNMP	CLI / Web / SNMP
Switching	L2 + static routes	L2 + static routes	L2 / L3 / L4
Routing	32 static routes	32 static routes	1,024 static routes RIP / OSPF / BGP/ IS-IS / PIM
IPv6	No	Management	Routing, management, VLANs
Resiliency	Rapid Spanning Tree / MSTP	Rapid Spanning Tree / MSTP	<ul style="list-style-type: none"> <li>• Rapid Spanning Tree / MSTP</li> <li>• Resilient Ring Protection Protocol</li> <li>• XRN</li> </ul>
Convergence	<ul style="list-style-type: none"> <li>• 4 QoS queues per port</li> <li>• Auto-Voice VLAN</li> <li>• IGMPv3</li> </ul>	<ul style="list-style-type: none"> <li>• 8 QoS queues per port</li> <li>• Auto-Voice VLAN</li> <li>• IGMPv2</li> </ul>	<ul style="list-style-type: none"> <li>• 8 QoS queues per port</li> <li>• Auto-Voice VLAN</li> <li>• IGMPv3</li> </ul>
Security	<ul style="list-style-type: none"> <li>• IEEE 802.1X Network Access Control</li> <li>• Access control lists (L2/L3)</li> </ul>	<ul style="list-style-type: none"> <li>• IEEE 802.1X Network Access Control</li> <li>• TACAS+</li> <li>• Access control lists (L2/L3)</li> </ul>	<ul style="list-style-type: none"> <li>• IEEE 802.1X Network Access Control</li> <li>• TACAS+</li> <li>• Access control lists (L2/L3/L4)</li> </ul>
Target Markets	Small / medium enterprise	Medium enterprise	Medium enterprise
Warranty	3 Years • NBD Advanced Hardware Replacement	Limited Lifetime • NBD Advanced Hardware Replacement	Limited Lifetime • NBD Advanced Hardware Replacement
\$ USD List Price Per Port From*	<b>\$18 (non-PoE)</b> <b>\$43 (PoE)</b>	<b>\$70 (non-PoE)</b> <b>\$125 (PoE)</b>	<b>\$146 (non-PoE)</b> <b>\$177 (PoE)</b>
Extra Promotional Discount*	<b>Up to 15%</b>	<b>Up to 22%</b>	<b>Up to 15%</b>

\*Local pricing may vary—please contact your authorised 3Com distributor for more details of your trade discounts,

Visit [emea.3com.com](http://emea.3com.com) for more information about 3Com network solutions.

